

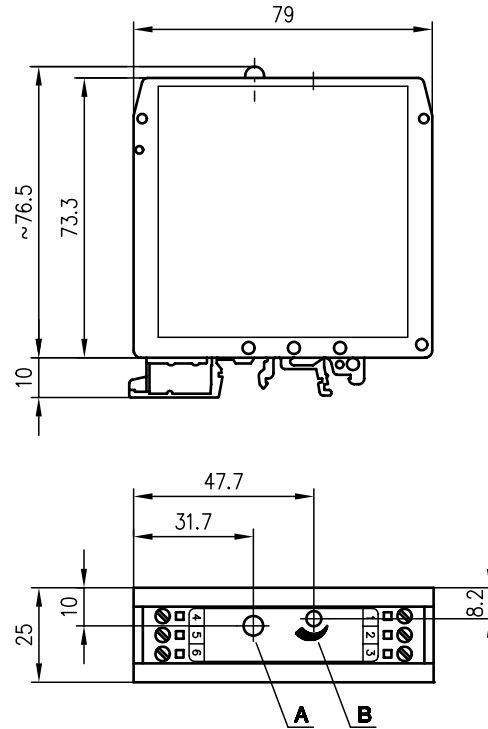


NT 24

Power supply unit



Dimensioned drawing

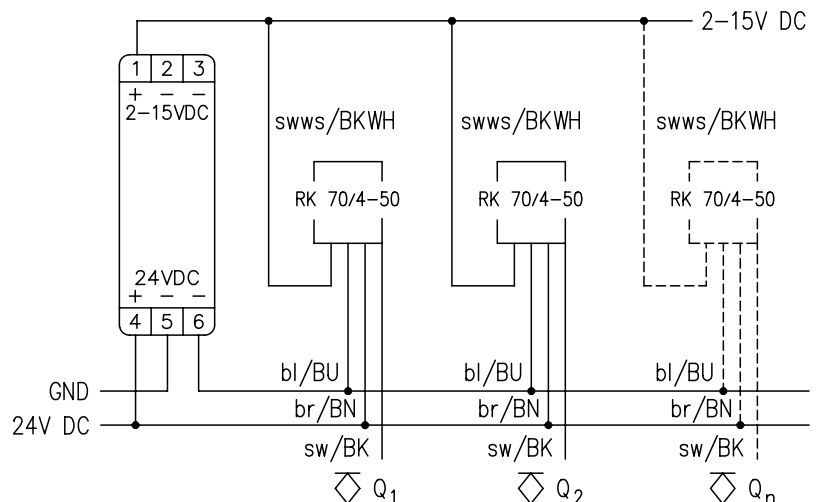


A Operation indicator
B Output voltage

24 V
DC

- Power supply unit with adjustable output voltage (2 ... 15V)
- Central voltage adjustment via multiturn potentiometer with use of the power supply unit NT 24 for up to 60 devices RK 70/4-50
- Plastic housing with snap-on mounting for standard rail

Electrical connection



Accessories:

We reserve the right to make changes • MS_v01.e.fm



Specifications

Electrical data

Operating voltage U_B	24VDC filtered $\pm 20\%$
Residual ripple	$\leq 10\%$ of U_B
Output voltage	2 ... 15V (adjustable via 3-turn potentiometer)
Output current	max. 300mA

Indicators

LED green	ready (supply voltage connected)
-----------	----------------------------------

Mechanical data

Housing	plastic green
Weight	approx. 90g
Connection type	screw terminals (max. 0.75mm ²)

Environmental data

Ambient temp. (operation/storage)	-20°C ... +60°C/-30°C ... +70°C
Protective circuit ¹⁾	3
Protection class	housing IP 40 terminals IP 20, fulfils contact protection acc. to VBG 4 IEC 60947-5-2

Standards applied

1) 3=short circuit protection

Tables

Diagrams

Order guide

Designation	Part No.
NT 24	500 24574

Remarks

- The power supply unit NT 24 is suited for the supply voltage adjustment of up to 60 devices RK 70/4-50.