

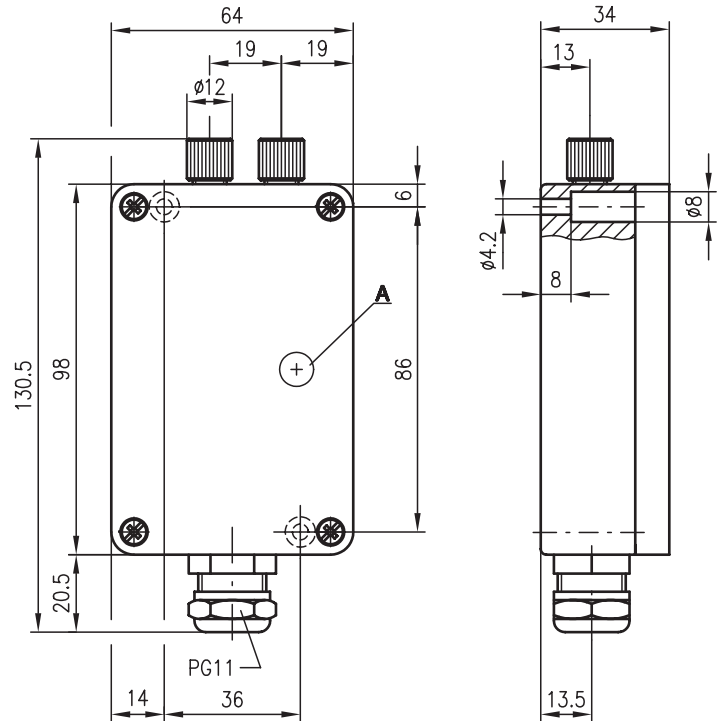


LVS

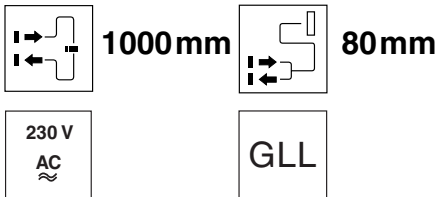
Fibre optic cable control devices



Dimensioned drawing

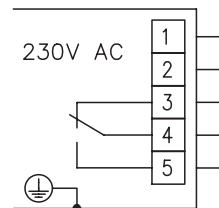


A Indicator diode  
Internal: sensitivity adjustment  
light/dark switching

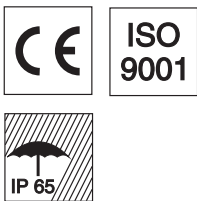


- Version for direct mains connection to 230VAC and with relay output
- Light/dark switching and sensitivity adjustment for optimal adaptation to the application
- Multicolour display for detailed information about the switching and operating status allows for preventive maintenance
- Plug-in time module provides optional functions

Electrical connection



We reserve the right to make changes • LSG\_e02e.fm



Accessories:

(available separately)

- Glass fibre optic cable



## Specifications

### Optical data

Operating range/scanning range <sup>1)</sup>  
Light source  
Wavelength

### Throughbeam operation

1000mm  
LED (modulated light)  
880nm (infrared)

### Scanner operation

80mm

### Timing

Switching frequency <sup>2)</sup>  
Response time

20Hz  
25ms

### Electrical data

Operating voltage  $U_B$   
Switching output  
Function characteristics  
Switching voltage, relay  
Switching power  
Sensitivity

230VAC  $\pm$  10% 50/60Hz  
relay, 1 change-over contact  
light/dark switching via selector switch  
250VAC/DC  
60VA/250VAC  
adjustable through potentiometer

### Multicolour display

LED green  
  
LED yellow  
  
LED red

light path free/reflection  
(with performance reserve)  
light path free/reflection  
(without performance reserve)  
operating voltage connected

### Mechanical data

Housing  
Weight  
Cable connection  
Fibre optic cable connection

aluminium  
350g  
screw terminals  
screw connection

### Environmental data

Ambient temp. (operation/storage)  
Protection class

-20°C ... +60°C/-30°C ... +70°C  
IP 65

1) Scanning range relative to white 90%  
2) With a duty cycle of 1:1

## Tables

Throughbeam operation

Type	Operating range
GF 500/1 LS-...	200mm
GF 500/4 LS-...	600mm
GF 1000/1 LS-...	200mm
GF 1000/4 LS-...	1000mm

Scanner operation

Type	Scanning range <sup>1)</sup>
GF 500/1 RT-...	0 ... 50mm
GF 500/4 RT-...	0 ... 80mm
GF 1000/4 RT-...	0 ... 80mm
GF 500/1 RT-MS.1	0 ... 10mm

1) Relative to white 90%

## Diagrams

## Order guide

Designation	Part No.
LVS 9/7	500 00280

The standard device is expandable through add-on time modules (even at a later point).

- **Transient pulses** (blue module order code ZK 7810)  
slow operation and pulse length separately adjustable (each 100ms ... 5s)
- **Slow operation and slow release** (green module order code ZK 7820)  
separately adjustable from 200ms ... 10s

## Remarks

- The housing cover must be removed in order to set the sensitivity adjustment and light/dark switching.